

Features

- Programmable 4,194,304 x 1 and 8,388,608 x 1-bit Serial Memories Designed to Store Configuration Programs for Field Programmable Gate Arrays (FPGAs)
- 3.3V Output Capability
- 5V Tolerant I/O Pins
- Program Support using the Atmel ATDH2200E System or Industry Third Party Programmers
- In-System Programmable (ISP) via 2-wire Bus
- Simple Interface to SRAM FPGAs
- Compatible with Atmel AT40K and AT94K Devices, Altera FLEX[®], Excalibur, Stratix, Cyclone and APEX[™] Devices
- Cascadable Read-back to Support Additional Configurations or Higher-density Arrays
- Low-power CMOS FLASH Process
- Available in 20-lead PLCC and 32-lead TQFP Packages
- Emulation of Atmel's AT24CXXX Serial EEPROMs
- Low-power Standby Mode
- Single Device Capable of Holding 4 Bit Stream Files Allowing Simple System Reconfiguration
- Fast Serial Download Speeds up to 33 MHz
- Endurance: 5,000 Write Cycles Typical

Description

The AT17FxxxA Series of In-System Programmable Configuration PROMs (Configurators) provide an easy-to-use, cost-effective configuration memory for Field Programmable Gate Arrays. The AT17FxxxA Series device is packaged in the 20-lead PLCC and 32-lead TQFP, see Table 1. The AT17FxxxA Series Configurator uses a simple serial-access procedure to configure one or more FPGA devices.

The AT17FxxxA Series Configurators can be programmed with industry-standard programmers, Atmel's ATDH2200E Programming Kit or Atmel's ATDH2225 ISP Cable.

Table 1. AT17FxxxA Series Packages

Package	AT17F040A	AT17F080A
20-lead PLCC	Yes	Yes
32-lead TQFP	Yes	Yes



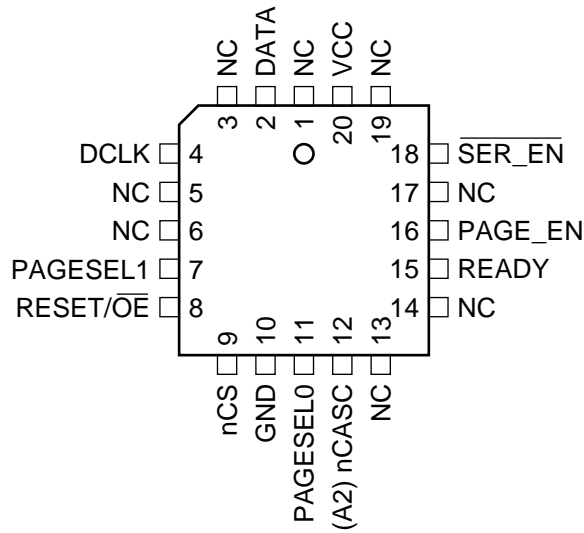
FPGA Configuration Flash Memory

AT17F040A
AT17F080A

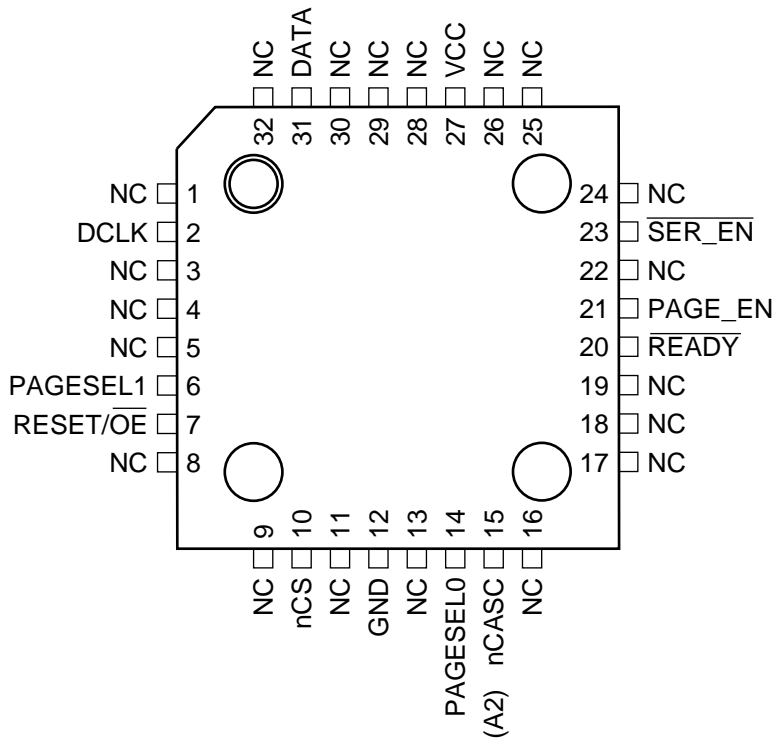


Pin Configuration

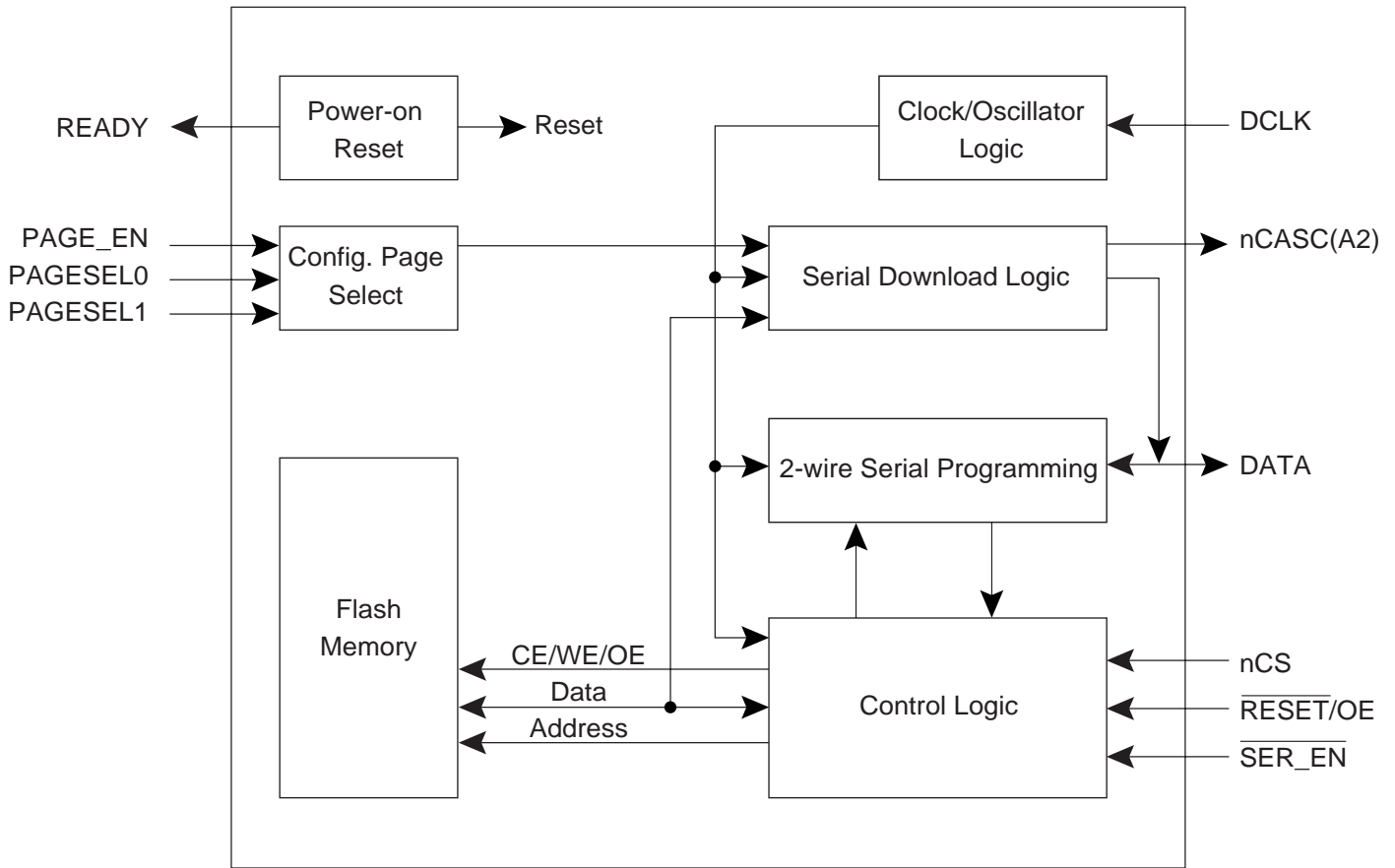
20-lead PLCC



32-lead TQFP



Block Diagram



Device Description

The control signals for the configuration memory device (nCS, $\overline{\text{RESET/OE}}$ and DCLK) interface directly with the FPGA device control signals. All FPGA devices can control the entire configuration process and retrieve data from the configuration device without requiring an external intelligent controller.

The $\overline{\text{RESET/OE}}$ and nCS pins control the tri-state buffer on the DATA output pin and enable the address counter. When $\overline{\text{RESET/OE}}$ is driven Low, the configuration device resets its address counter and tri-states its DATA pin. The nCS pin also controls the output of the AT17FxxxA Series Configurator. If nCS is held High after the $\overline{\text{RESET/OE}}$ reset pulse, the counter is disabled and the DATA output pin is tri-stated. When OE is subsequently driven High, the counter and the DATA output pin are enabled. When $\overline{\text{RESET/OE}}$ is driven Low again, the address counter is reset and the DATA output pin is tri-stated, regardless of the state of nCS.

When the configurator has driven out all of its data and nCASC is driven Low, the device tri-states the DATA pin to avoid contention with other configurators. Upon power-up, the address counter is automatically reset.



Pin Description

Name	I/O	AT17F040A/080A	
		20 PLCC	32 TQFP
DATA	I/O	2	31
DCLK	I	4	2
PAGE_EN	I	16	21
PAGESEL0	I	11	14
PAGESEL1	I	7	6
RESET/OE	I	8	7
nCS	I	9	10
GND	–	10	12
nCASC	O	12	15
A2	I		
READY	O	15	20
SER_EN	I	18	23
V _{CC}	–	20	27

DATA⁽¹⁾

Three-state DATA output for FPGA configuration. Open-collector bi-directional pin for configuration programming.

DCLK⁽¹⁾

Three-state clock. Functions as an input when the Configurator is in programming mode (i.e. SER_EN is Low) and as an output during FPGA configuration.

PAGE_EN⁽²⁾

Input used to enable page download mode. When PAGE_EN is high the configuration download address space is partitioned into 4 equal pages. This gives users the ability to easily store and retrieve multiple configuration bitstreams from a single configuration device. This input works in conjunction with the PAGESEL inputs. PAGE_EN must be remain low if paging is not desired. When SER_EN is Low (ISP mode) this pin has no effect.

- Notes:
1. This pin has an internal 20 K Ω pull-up resistor.
 2. This pin has an internal 30 K Ω pull-down resistor.

PAGESEL[1:0]⁽²⁾

Page select inputs. Used to determine which of the 4 memory pages are targeted during a serial configuration download. The address space for each of the pages is shown in Table 2. When SER_EN is Low (ISP mode) these pins have no effect.

Table 2. Address Space

Paging Decodes	AT17F040A (4 Mbits)	AT17F080A (8 Mbits)
PAGESEL = 00, PAGE_EN = 1	00000 – 0FFFFh	00000 – 1FFFFh
PAGESEL = 01, PAGE_EN = 1	10000 – 1FFFFh	20000 – 3FFFFh
PAGESEL = 10, PAGE_EN = 1	20000 – 2FFFFh	40000 – 5FFFFh
PAGESEL = 11, PAGE_EN = 1	30000 – 3FFFFh	60000 – 7FFFFh
PAGESEL = XX, PAGE_EN = 0	00000 – 3FFFFh	00000 – 7FFFFh

RESET/OE⁽¹⁾

Output Enable (active High) and RESET (active Low) when SER_EN is High. A Low level on RESET/OE resets both the address and bit counters. A High level (with nCS Low) enables the data output driver.

nCS⁽¹⁾

Chip Enable input (active Low). A Low level (with OE High) allows DCLK to increment the address counter and enables the data output driver. A High level on nCS disables both the address and bit counters and forces the device into a low-power standby mode. Note that this pin will *not* enable/disable the device in the 2-wire Serial Programming mode (SER_EN Low).

GND

Ground pin. A 0.2 μ F decoupling capacitor between V_{CC} and GND is recommended.

nCASC

Cascade Select Output (when SER_EN is High). This output goes Low when the internal address counter has reached its maximum value. If the PAGE_EN input is set High, the maximum value is the highest address in the selected partition. The PAGESEL[1:0] inputs are used to make the 4 partition selections. If the PAGE_EN input is set Low, the device is not partitioned and the address maximum value is the highest address in the device, see Table 2 on page 5. In a daisy chain of AT17FxxxA Series devices, the nCASC pin of one device must be connected to the nCS input of the next device in the chain. It will stay Low as long as nCS is Low and OE is High. It will then follow nCS until OE goes Low; thereafter, nCASC will stay High until the entire EEPROM is read again.

A2⁽¹⁾

Device selection input, (when SER_EN Low). The input is used to enable (or chip select) the device during programming (i.e., when SER_EN is Low). Refer to the AT17FxxxA Programming Specification available on the Atmel web site for additional details.

READY

Open collector reset state indicator. Driven Low during power-up reset, released when power-up is complete. (recommended 4.7 k Ω pull-up on this pin if used).

SER_EN⁽¹⁾

The serial enable input must remain High during FPGA configuration operations. Bringing SER_EN Low enables the 2-Wire Serial Programming Mode. For non-ISP applications, SER_EN should be tied to V_{CC}.

V_{CC}

+3.3V (\pm 10%).

- Notes:
1. This pin has an internal 20 K Ω pull-up resistor.
 2. This pin has an internal 30 K Ω pull-down resistor.



FPGA Master Serial Mode Summary

The I/O and logic functions of any SRAM-based FPGA are established by a configuration program. The program is loaded either automatically upon power-up, or on command, depending on the state of the FPGA mode pins. In Master mode, the FPGA automatically loads the configuration program from an external memory. The AT17FxxxA Serial Configuration PROM has been designed for compatibility with the Master Serial mode.

This document discusses the Atmel AT40K, AT40KAL and AT94KAL applications as well as Altera applications.

Control of Configuration

Most connections between the FPGA device and the AT17FxxxA Serial Configurator PROM are simple and self-explanatory.

- The DATA output of the AT17FxxxA Series Configurator drives DIN of the FPGA devices.
- The DCLK output of the AT17FxxxA device drives the DCLK input data of the FPGA.
- The nCASC output of a AT17FxxxA Series Configurator drives the $\overline{\text{nCS}}$ input of the next Configurator in a cascade chain of configurator devices.
- $\overline{\text{SER_EN}}$ must be at logic High level (internal pull-up resistor provided) except during ISP.
- The READY pin is available as an open-collector indicator of the device's reset status; it is driven Low while the device is in its power-on reset cycle and released (tri-stated) when the cycle is complete.
- PAGE_EN must REMAIN Low if download paging is not desired. If paging is desired, PAGE_EN must be High and the PAGESEL pins must be set to High or Low such that the desired page is selected, see Table 2 on page 5.

Cascading Serial Configuration Devices

For multiple FPGAs configured as a daisy-chain, or for FPGAs requiring larger configuration memories, cascaded configurators provide additional memory.

After the last bit from the first configurator is read, the clock signal to the configurator asserts its nCASC output Low and disables its DATA line driver. The second configurator recognizes the Low level on its nCS input and enables its DATA output.

After configuration is complete, the address counters of all cascaded configurators are reset if the $\overline{\text{RESET/OE}}$ on each configurator is driven to its active (Low) level.

If the address counters are not to be reset upon completion, then the $\overline{\text{RESET/OE}}$ input can be tied to its inactive (High) level.

Programming Mode

The programming mode is entered by bringing $\overline{\text{SER_EN}}$ Low. In this mode the chip can be programmed by the 2-wire serial bus. The programming is done at V_{CC} supply only. Programming super voltages are generated inside the chip. The AT17FxxxA parts are read/write at 3.3V nominal. Refer to the AT17FxxxA Programming Specification available on the Atmel web site (www.atmel.com) for more programming details. AT17FxxxA devices are supported by the Atmel ATDH2200 programming system along with many third party programmers.

Standby Mode

The AT17FxxxA Series Configurators enter a low-power standby mode whenever $\overline{\text{SER_EN}}$ is High and nCS is asserted High. In this mode, the AT17FxxxA Configurator typically consumes less than 1 mA of current at 3.3V. The output remains in a high-impedance state regardless of the state of the OE input.

Absolute Maximum Ratings*

Operating Temperature.....	-40°C to +85°C
Storage Temperature	-65°C to +150°C
Voltage on Any Pin with Respect to Ground	-0.5V to $V_{CC} + 0.5V$
Supply Voltage (V_{CC})	-0.5V to +4.0V
Maximum Soldering Temp. (10 sec. @ 1/16 in.).....	260°C
ESD ($R_{ZAP} = 1.5K$, $C_{ZAP} = 100$ pF).....	2000V

*NOTICE: Stresses beyond those listed under Absolute Maximum Ratings may cause permanent damage to the device. This is a stress rating only and functional operation of the device at these or any other conditions beyond those listed under operating conditions is not implied. Exposure to Absolute Maximum Rating conditions for extended periods of time may affect device reliability.

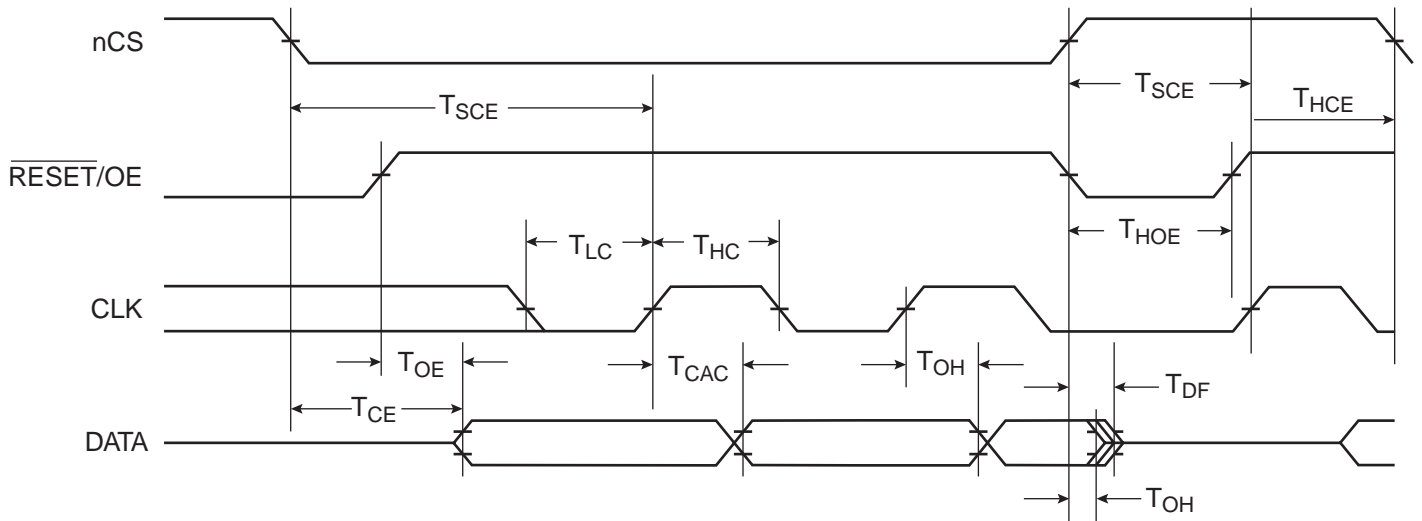
Operating Conditions

Symbol	Description	AT17FxxxA Series Configurator		Units	
		Min	Max		
V_{CC}	Commercial	Supply voltage relative to GND -0°C to +70°C	2.97	3.63	V
	Industrial	Supply voltage relative to GND -40°C to +85°C	2.97	3.63	V

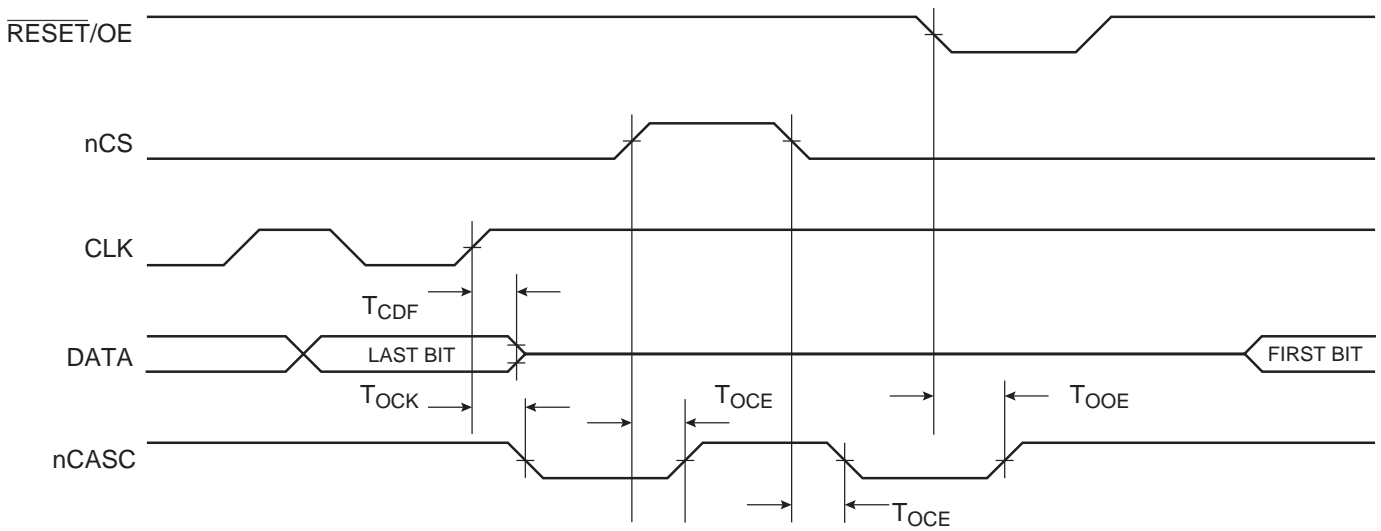
DC Characteristics

Symbol	Description	AT17F040A		AT17F080A		Units
		Min	Max	Min	Max	
V_{IH}	High-level Input Voltage	2.0	V_{CC}	2.0	V_{CC}	V
V_{IL}	Low-level Input Voltage	0	0.8	0	0.8	V
V_{OH}	High-level Output Voltage ($I_{OH} = -2.5$ mA)	2.4	0.4	2.4	0.4	V
V_{OL}	Low-level Output Voltage ($I_{OL} = +3$ mA)					
V_{OH}	High-level Output Voltage ($I_{OH} = -2$ mA)	2.4	0.4	2.4	0.4	V
V_{OL}	Low-level Output Voltage ($I_{OL} = +3$ mA)					
I_{CCA}	Supply Current, Active Mode at Freq. Max.		50		50	mA
I_L	Input or Output Leakage Current ($V_{IN} = V_{CC}$ or GND)	-10	10	-10	10	μ A
I_{CCS}	Supply Current, Standby Mode	Commercial	3		3	mA
		Industrial		3		3

AC Characteristics



AC Characteristics when Cascading



AC Characteristics

Symbol	Description		AT17F040A		AT17F080A		Units
			Min	Max	Min	Max	
T _{OE} ⁽²⁾	OE to Data Delay	Commercial		50		50	ns
		Industrial ⁽¹⁾		55		55	ns
T _{CE} ⁽²⁾	nCS to Data Delay	Commercial		55		55	ns
		Industrial ⁽¹⁾		60		60	ns
T _{CAC} ⁽²⁾	DCLK to Data Delay	Commercial		30		30	ns
		Industrial ⁽¹⁾		30		30	ns
T _{OH}	Data Hold from nCS, OE, or DCLK	Commercial	0		0		ns
		Industrial ⁽¹⁾	0		0		ns
T _{DF} ⁽³⁾	nCS or OE to Data Float Delay	Commercial		15		15	ns
		Industrial ⁽¹⁾		15		15	ns
T _{LC}	DCLK Low Time	Commercial	15		15		ns
		Industrial ⁽¹⁾	15		15		ns
T _{HC}	DCLK High Time	Commercial	15		15		ns
		Industrial ⁽¹⁾	15		15		ns
T _{SCE}	nCS Setup Time to DCLK (to guarantee proper counting)	Commercial	20		20		ns
		Industrial ⁽¹⁾	25		25		ns
T _{HCE}	nCS Hold Time from DCLK (to guarantee proper counting)	Commercial	0		0		ns
		Industrial ⁽¹⁾	0		0		ns
T _{HOE}	Reset/OE Low Time (guarantees counter is reset)	Commercial	20		20		ns
		Industrial ⁽¹⁾	20		20		ns
F _{MAX}	Maximum Input Clock Frequency SEREN = 0	Commercial		10		10	MHz
		Industrial ⁽¹⁾		10		10	MHz
T _{WR}	Write Cycle Time ⁽⁴⁾	Commercial		30		30	μs
		Industrial ⁽¹⁾		30		30	μs
T _{EC}	Erase Cycle Time ⁽⁴⁾	Commercial		30		10	μs
		Industrial ⁽¹⁾		30		10	μs

- Notes:
1. Preliminary specifications for military operating range only.
 2. AC test lead = 50 pF.
 3. Float delays are measured with 5 pF AC loads. Transition is measured ± 200 mV from steady-state active levels.
 4. See the AT17FxxxA Programming Specification for procedural information.

AC Characteristics When Cascading

Symbol	Description		AT17F040A		AT17F080A		Units
			Min	Max	Min	Max	
T _{CDF} ⁽³⁾	DCLK to Data Float Delay	Commercial		50		50	ns
		Industrial		50		50	ns
T _{OCLK} ⁽²⁾	DCLK to nCASC Delay	Commercial		50		50	ns
		Industrial		55		55	ns
T _{OCE} ⁽²⁾	nCS to nCASC Delay	Commercial		35		35	ns
		Industrial		40		40	ns
T _{OOE} ⁽²⁾	$\overline{\text{RESET/OE}}$ to nCASC Delay	Commercial		35		35	ns
		Industrial		25		35	ns

- Notes:
1. AC test lead = 50 pF.
 2. Float delays are measured with 5 pF AC loads. Transition is measured ± 200 mV from steady-state active levels.

Thermal Resistance Coefficients

Package Type			AT17F040A	AT17F080A
20J	Plastic Leaded Chip Carrier (PLCC)	θ_{JC} [°C/W]		–
		θ_{JA} [°C/W] ⁽¹⁾		–
32A	Thin Plastic Quad Flat Package (TQFP)	θ_{JC} [°C/W]	17	17
		θ_{JA} [°C/W] ⁽¹⁾	62	62

Note: 1. Airflow = 0 ft/min.



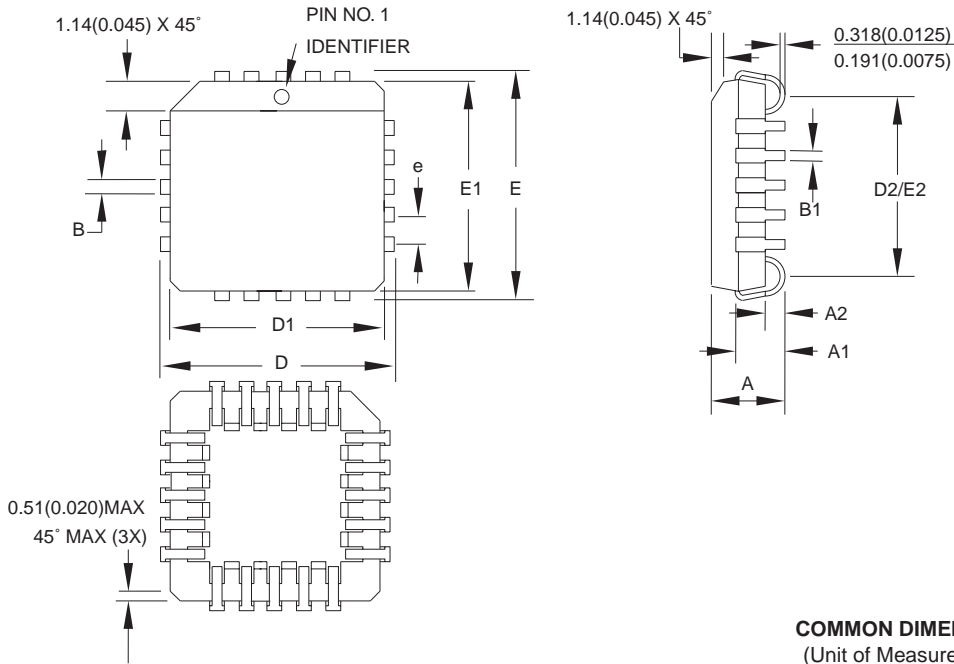
Ordering Information

Memory Size	Ordering Code	Package	Operation Range
4-Mbit	AT17F040A-30JC AT17F040A-30QC	20J - 20 PLCC 32A - 32 TQFP	Commercial (0°C to 70°C)
	AT17F040A-30JI AT17F040A-30QI	20J - 20 PLCC 32A - 32 TQFP	Industrial (-40°C to 85°C)
8-Mbit	AT17F080A-30JC AT17F080A-30QC	20J - 20 PLCC 32A - 32 TQFP	Commercial (0°C to 70°C)
	AT17F080A-30JI AT17F080A-30QC	20J - 20 PLCC 32A - 32 TQFP	Industrial (-40°C to 85°C)

Package Type	
20J	20-lead, Plastic J-leaded Chip Carrier (PLCC)
32A	32-lead, Thin (1.0 mm) Plastic Quad Flat Package Carrier (TQFP)

Packaging Information

20J – PLCC



COMMON DIMENSIONS
(Unit of Measure = mm)

SYMBOL	MIN	NOM	MAX	NOTE
A	4.191	–	4.572	
A1	2.286	–	3.048	
A2	0.508	–	–	
D	9.779	–	10.033	
D1	8.890	–	9.042	Note 2
E	9.779	–	10.033	
E1	8.890	–	9.042	Note 2
D2/E2	7.366	–	8.382	
B	0.660	–	0.813	
B1	0.330	–	0.533	
e	1.270 TYP			

- Notes:
1. This package conforms to JEDEC reference MS-018, Variation AA.
 2. Dimensions D1 and E1 do not include mold protrusion. Allowable protrusion is .010"(0.254 mm) per side. Dimension D1 and E1 include mold mismatch and are measured at the extreme material condition at the upper or lower parting line.
 3. Lead coplanarity is 0.004" (0.102 mm) maximum.

10/04/01



2325 Orchard Parkway
San Jose, CA 95131

TITLE

20J, 20-lead, Plastic J-leaded Chip Carrier (PLCC)

DRAWING NO.

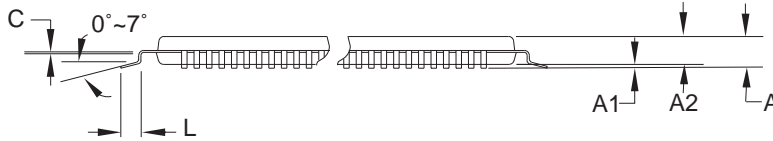
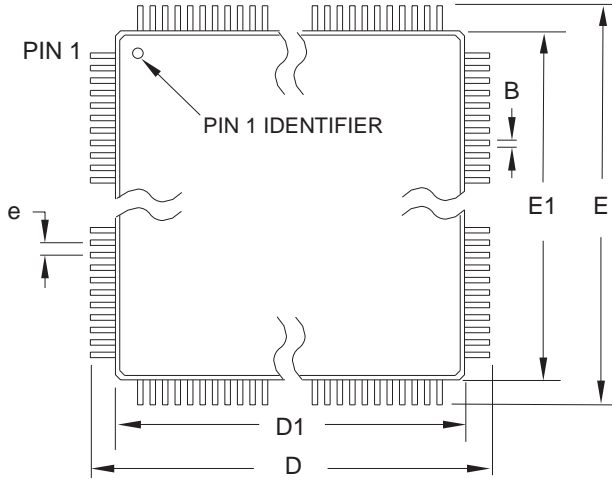
20J

REV.

B



32A – TQFP



COMMON DIMENSIONS (Unit of Measure = mm)

SYMBOL	MIN	NOM	MAX	NOTE
A	–	–	1.20	
A1	0.05	–	0.15	
A2	0.95	1.00	1.05	
D	8.75	9.00	9.25	
D1	6.90	7.00	7.10	Note 2
E	8.75	9.00	9.25	
E1	6.90	7.00	7.10	Note 2
B	0.30	–	0.45	
C	0.09	–	0.20	
L	0.45	–	0.75	
e	0.80 TYP			

- Notes:
1. This package conforms to JEDEC reference MS-026, Variation ABA.
 2. Dimensions D1 and E1 do not include mold protrusion. Allowable protrusion is 0.25 mm per side. Dimensions D1 and E1 are maximum plastic body size dimensions including mold mismatch.
 3. Lead coplanarity is 0.10 mm maximum.

10/5/2001

2325 Orchard Parkway San Jose, CA 95131	TITLE	DRAWING NO.	REV.
	32A , 32-lead, 7 x 7 mm Body Size, 1.0 mm Body Thickness, 0.8 mm Lead Pitch, Thin Profile Plastic Quad Flat Package (TQFP)	32A	B



Atmel Corporation

2325 Orchard Parkway
San Jose, CA 95131
Tel: 1(408) 441-0311
Fax: 1(408) 487-2600

Regional Headquarters

Europe

Atmel Sarl
Route des Arsenalux 41
Case Postale 80
CH-1705 Fribourg
Switzerland
Tel: (41) 26-426-5555
Fax: (41) 26-426-5500

Asia

Room 1219
Chinachem Golden Plaza
77 Mody Road Tsimshatsui
East Kowloon
Hong Kong
Tel: (852) 2721-9778
Fax: (852) 2722-1369

Japan

9F, Tonetsu Shinkawa Bldg.
1-24-8 Shinkawa
Chuo-ku, Tokyo 104-0033
Japan
Tel: (81) 3-3523-3551
Fax: (81) 3-3523-7581

Atmel Operations

Memory

2325 Orchard Parkway
San Jose, CA 95131
Tel: 1(408) 441-0311
Fax: 1(408) 436-4314

Microcontrollers

2325 Orchard Parkway
San Jose, CA 95131
Tel: 1(408) 441-0311
Fax: 1(408) 436-4314

La Chantrerie
BP 70602
44306 Nantes Cedex 3, France
Tel: (33) 2-40-18-18-18
Fax: (33) 2-40-18-19-60

ASIC/ASSP/Smart Cards

Zone Industrielle
13106 Rousset Cedex, France
Tel: (33) 4-42-53-60-00
Fax: (33) 4-42-53-60-01

1150 East Cheyenne Mtn. Blvd.
Colorado Springs, CO 80906
Tel: 1(719) 576-3300
Fax: 1(719) 540-1759

Scottish Enterprise Technology Park
Maxwell Building
East Kilbride G75 0QR, Scotland
Tel: (44) 1355-803-000
Fax: (44) 1355-242-743

RF/Automotive

Theresienstrasse 2
Postfach 3535
74025 Heilbronn, Germany
Tel: (49) 71-31-67-0
Fax: (49) 71-31-67-2340

1150 East Cheyenne Mtn. Blvd.
Colorado Springs, CO 80906
Tel: 1(719) 576-3300
Fax: 1(719) 540-1759

Biometrics/Imaging/Hi-Rel MPU/ High Speed Converters/RF Datacom

Avenue de Rochepleine
BP 123
38521 Saint-Egreve Cedex, France
Tel: (33) 4-76-58-30-00
Fax: (33) 4-76-58-34-80

Atmel Programmable SLI Hotline
(408) 436-4119

Atmel Programmable SLI e-mail
configurator@atmel.com

FAQ
Available on web site

e-mail
literature@atmel.com

Web Site
<http://www.atmel.com>

Disclaimer: Atmel Corporation makes no warranty for the use of its products, other than those expressly contained in the Company's standard warranty which is detailed in Atmel's Terms and Conditions located on the Company's web site. The Company assumes no responsibility for any errors which may appear in this document, reserves the right to change devices or specifications detailed herein at any time without notice, and does not make any commitment to update the information contained herein. No licenses to patents or other intellectual property of Atmel are granted by the Company in connection with the sale of Atmel products, expressly or by implication. Atmel's products are not authorized for use

© Atmel Corporation 2004. All rights reserved. Atmel® and combinations thereof, are the registered trademarks of Atmel Corporation or its subsidiaries. FLEX™ is the trademarks of Altera Corporation. ORCA™ is the trademark of Lucent Technologies, Inc. SPARTAN® and Virtex® are the registered trademarks, and XC3000™, XC4000™ and XC5200™ are the trademarks of Xilinx, Inc. APEX™ is the trademark of MIPS Technologies. Other terms and product names may be the trademarks of others.



Printed on recycled paper.